

ALLTAC ALLSTAR DIRECTIONAL BAR TBS-LIN

INDICATOR DETAILS

RANGE	DIRECTIONAL
MATERIAL	316 STAINLESS STEEL
FINISH	MACHINED

FEATURES

CLEAN PARALLEL LINES

TESTING (PERFORMED BY CSIRO)

AS/NZS 1428.4 COMPLIANT

AS/NZS 4586 APPENDIX A
WET PENDULUM 4S:

AS/NZS 4586 APPENDIX D
OIL WET RAMP TEST:

AS/NZS 1428.4
WET & DRY LUMINOUS REFLECTANCE: 29.7 - 36.1

PRODUCT DIMENSIONS

TOP OF BAR	280mm x 26mm
BASE OF BAR	290mm x 34.5mm
HEIGHT OF BAR	5mm
STEM LENGTH	12mm x 6mm



ALLTAC

ALLTAC are manufacturers and distributors of quality Australian products

info@alltac.com.au
www.alltac.com.au

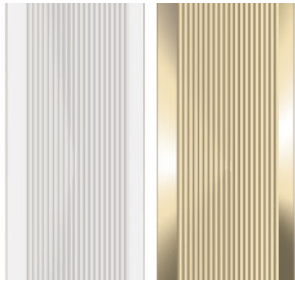
Unit 39, 1 Kingston Rd
Heatherton VIC 3202

1300ALLTAC
1300 255 822

Allsafe products can be installed by our licensed contractors throughout Australia and overseas.

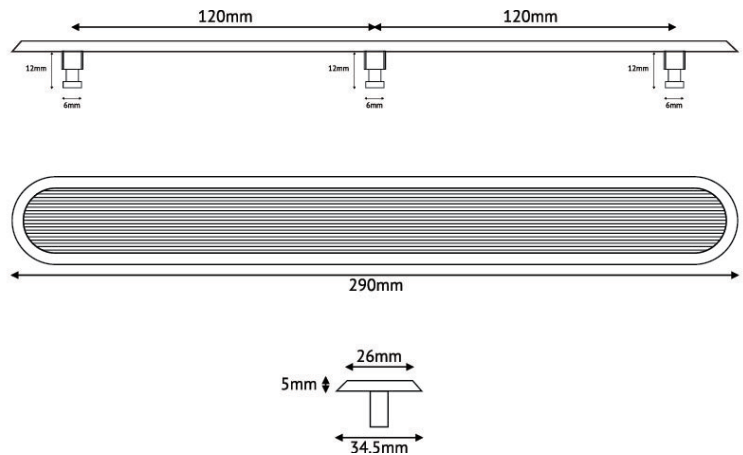
ALLTAC ALLSTAR DIRECTIONAL BAR TBS-LIN

FINISH



STAINLESS

BRASS



ALLTAC are manufacturers and distributors of quality Australian products

info@alltac.com.au
www.alltac.com.au

Unit 39, 1 Kingston Rd
Heatherton VIC 3202

1300ALLTAC
1300 255 822

Allsafe products can be installed by our licensed contractors throughout Australia and overseas.