

# ALLTAC ALLSTAR DIRECTIONAL BAR TBS-STR

DEVELOPED AND DESIGNED IN AUSTRALIA TO SUIT OUR UNIQUE CLIMATE AND DIVERSE CONDITIONS.  
THE ALLSTAR IS THE ONLY T.G.S.I PRODUCT IN THE WORLD WITH CONTINUITY THROUGHOUT RANGE.  
[WWW.THEALLSTAR.COM.AU](http://WWW.THEALLSTAR.COM.AU)

## INDICATOR DETAILS

<b>RANGE</b>	DIRECTIONAL
<b>MATERIAL</b>	POLYURETHANE WITH A.B.S
<b>TYPE</b>	THERMOPLASTIC
<b>FINISH</b>	POLISHED OR ROCK

## FEATURES

- PATENTED STAR DESIGN
- STEP-UP WEAR LAYER
- UNIQUE 16 POINT CROWN
- HIGHEST SLIP RATED DIRECTIONAL BAR ON THE MARKET
- WORLD'S FIRST SELF CLEANING TACTILE INDICATOR
- EXTRA HEAVY DUTY 1mm WEAR LAYER IDENTIFIES COMPLIANCE
- HIT IN APPLICATION
- CHOICES OF COLOURS
- UV STABLE

## PRODUCT DIMENSIONS

<b>TOP OF BAR</b>	280mm x 26mm
<b>BASE OF BAR</b>	290mm x 34.5mm
<b>HEIGHT OF BAR</b>	5mm
<b>STEM LENGTH</b>	12mm x 6mm

**ALLTAC**

**ALLTAC are manufacturers and distributors of quality Australian products**

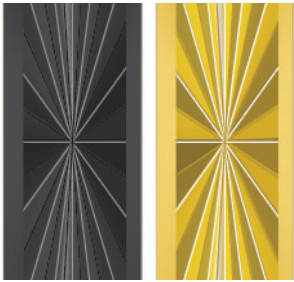
[info@alltac.com.au](mailto:info@alltac.com.au)  
[www.alltac.com.au](http://www.alltac.com.au)

1300ALLTAC  
1300 255 822

Allsafe products can be installed by our licensed contractors throughout Australia and overseas.

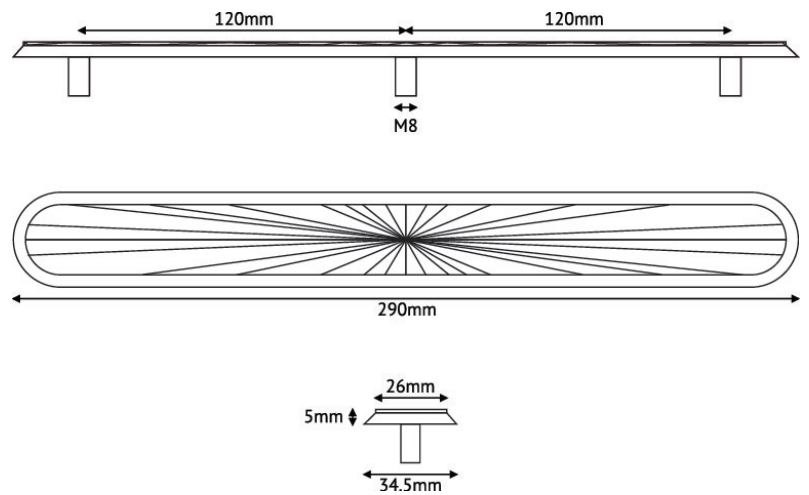
# ALLTAC ALLSTAR DIRECTIONAL BAR TBP-STR

## FINISH



BLACK

YELLOW



**ALLTAC**

ALLTAC are manufacturers and distributors of quality Australian products

info@alltac.com.au  
www.alltac.com.au

1300ALLTAC  
1300 255 822

Allsafe products can be installed by our licensed contractors throughout Australia and overseas.