



ALLTAC CONCENTRIC TGSI TIS-014

INDICATOR DETAILS

RANGE	CONCENTRIC
MATERIAL	STAINLESS STEEL
FINISH	MACHINED

FEATURES

GROOVED CONCENTRIC 14 RING DESIGN
ADDITIONAL SHOULDER RINGS FOR SLIP RESISTANCE
AVAILABLE IN 304 OR 316 STAINLESS STEEL
AS/NZS 1428.4 COMPLIANT

TESTING (PERFORMED BY CSIRO)

AS/NZS 4586 APENDIX A
WET PENDULUM 4S: **W**

AS/NZS 4586 APENDIX D
OIL WET RAMP TEST: **R12**

AS/NZS 1428.4
WET & DRY LUMINOUS REFLECTANCE: **31.0 - 34.8**

PRODUCT DIMENSIONS

TOP OF DOME	25mm
BASE OF DOME	35mm
HEIGHT OF DOME	5mm
STEM LENGTH	12mm x 6mm OR FLAT



ALLTAC

ALLTAC are manufacturers and distributors of quality Australian products

info@alltac.com.au
www.alltac.com.au

Unit 39, 1 Kingston Rd
Heatherton VIC 3202

1300ALLTAC
1300 255 822

Allsafe products can be installed by our licensed contractors throughout Australia and overseas.

ALLTAC ALLSTAR TGS1 TIS-014

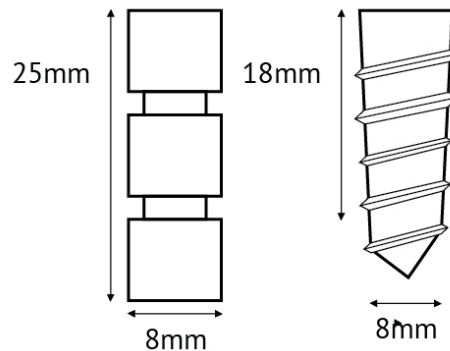
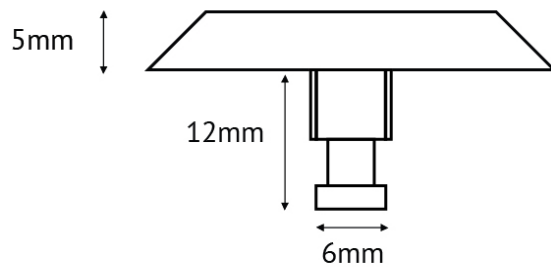
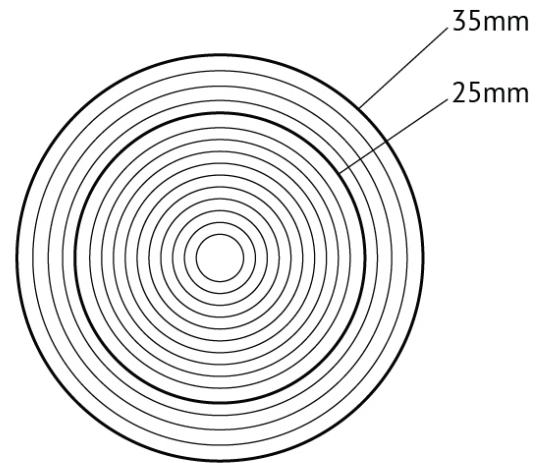
FINISH



STAINLESS

BRASS

BLACK



ALLTAC

ALLTAC are manufacturers and distributors of quality Australian products

info@alltac.com.au
www.alltac.com.au

Unit 39, 1 Kingston Rd
Heatherton VIC 3202

1300ALLTAC
1300 255 822

Allsafe products can be installed by our licensed contractors throughout Australia and overseas.