



ALLTAC CONCENTRIC TGSI TIS-010

INDICATOR DETAILS

RANGE	CONCENTRIC
MATERIAL	STAINLESS STEEL
FINISH	MACHINED

FEATURES

CONCENTRIC 10 RING DESIGN
SIMPLISTIC RECOGNISED DESIGN
304 OR 316 STAINLESS STEEL
AS/NZS 1428.4 COMPLIANT
SUITABLE FOR INTERNAL AND EXTERNAL
VARIOUS STEM OPTIONS

TESTING (PERFORMED BY CSIRO)

AS/NZS 4586 APENDIX A
WET PENDULUM 45: W

AS/NZS 4586 APENDIX D
OIL WET RAMP TEST: R12

AS/NZS 1428.4
WET & DRY LUMINOUS REFLECTANCE: 31.0 - 34.8

PRODUCT DIMENSIONS

TOP OF DOME	25mm
BASE OF DOME	35mm
HEIGHT OF DOME	5mm
STEM LENGTH	VARIOUS



ALLTAC

ALLTAC are manufacturers and distributors of quality Australian products

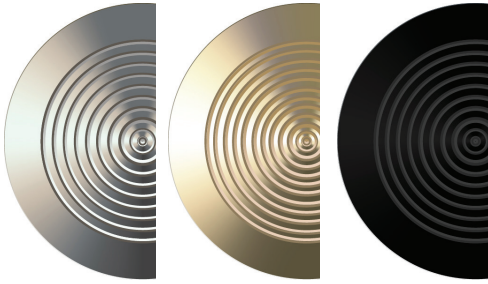
info@alltac.com.au
www.alltac.com.au

1300ALLTAC
1300 255 822

Allsafe products can be installed by our licensed contractors throughout Australia and overseas.

ALLTAC ALLSTAR TGS1 TIS-010

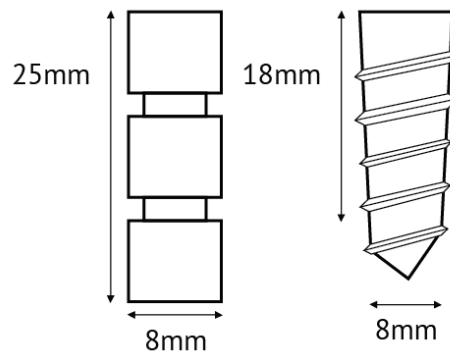
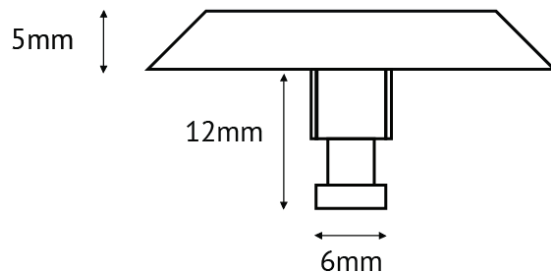
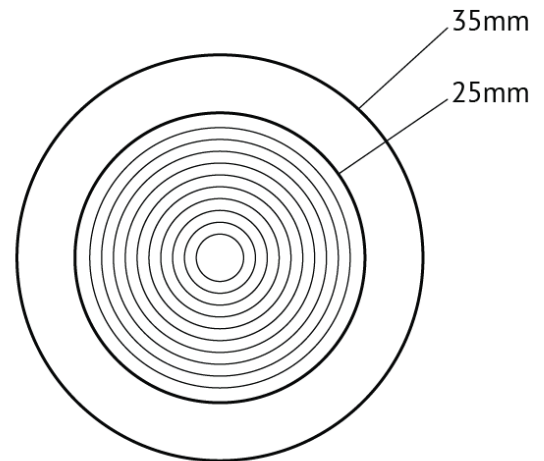
FINISH



STAINLESS

BRASS

BLACK



ALLTAC are manufacturers and distributors of quality Australian products

info@alltac.com.au
www.alltac.com.au

1300ALLTAC
1300 255 822

Allsafe products can be installed by our licensed contractors throughout Australia and overseas.