

# ALLTAC CONCENTRIC TGSI TIP-STR-25

## INDICATOR DETAILS

<b>RANGE</b>	ALLSTAR
<b>MATERIAL</b>	POLYURETHEN WITH A.B.S
<b>TYPE</b>	THERMOPLASTIC
<b>FINISH</b>	CAST

## FEATURES

PATENTED STAR DESIGN  
IMPACT RESISTANT  
UNIQUE 16 POINT CROWN  
WORLD'S FIRST SELF CLEANING TACTILE INDICATOR  
UV STABLE  
OPTIMAL SLIP RESISTANT  
HIT-IN APPLICATION  
VARIOUS COLOUR OPTIONS

## TESTING (PERFORMED BY CSIRO)

AS/NZS 1428.4.1  
CTAC Certification, Design for access and mobility -  
Tactile Indicators  
Clause 2.3.2 Design Requirement: **Complies**

AS/NZS 1428.4  
WET & DRY LUMINOUS REFLECTANCE: **Colour Dependant**

## PRODUCT DIMENSIONS

<b>TOP OF DOME</b>	25mm
<b>BASE OF DOME</b>	35mm
<b>HEIGHT OF DOME</b>	5mm
<b>STEM LENGTH</b>	25mm x 8mm



**ALLTAC®**

**ALLTAC are manufacturers and distributors of quality Australian products**

info@alltac.com.au  
www.alltac.com.au

1300ALLTAC  
1300 255 822

Allsafe products can be installed by our licensed contractors throughout Australia and overseas.

# ALLTAC ALLSTAR TGSI TIP-STR-25

## COLOUR OPTIONS



BLACK



BLUE



GREY



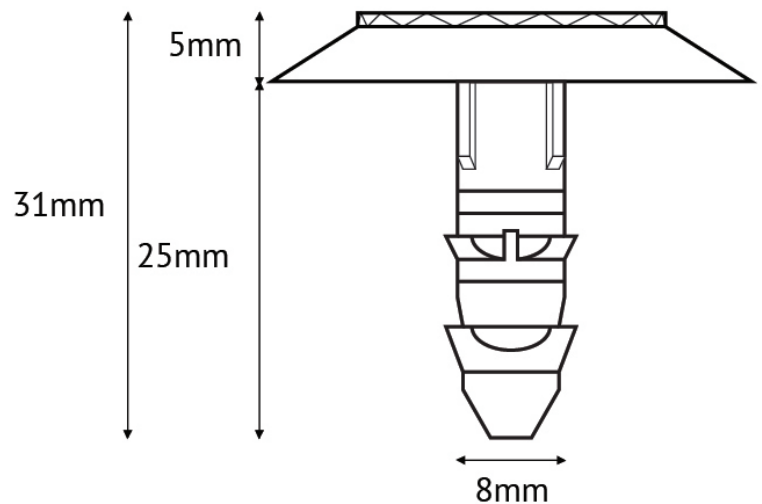
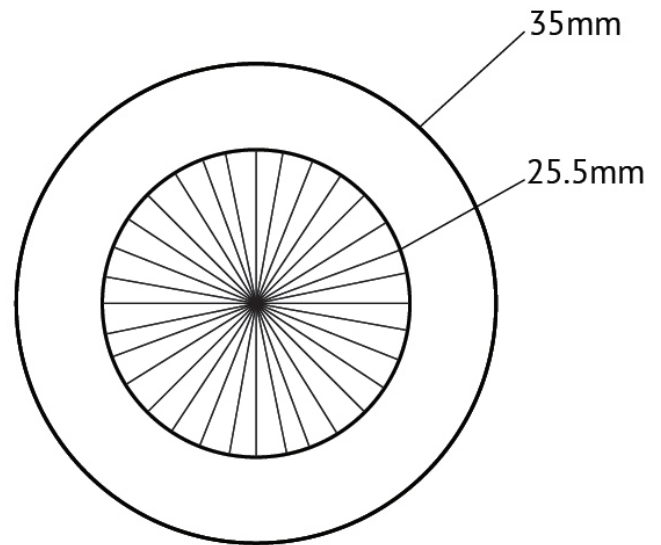
RED



WHITE



YELLOW



**ALLTAC**

ALLTAC are manufacturers and distributors of quality Australian products

[info@alltac.com.au](mailto:info@alltac.com.au)  
[www.alltac.com.au](http://www.alltac.com.au)

1300ALLTAC  
1300 255 822

Allsafe products can be installed by our licensed contractors throughout Australia and overseas.