

ALLTAC ALLSTAR DIRECTIONAL BAR TBS-STR

DEVELOPED AND DESIGNED IN AUSTRALIA TO SUIT OUR UNIQUE CLIMATE AND DIVERSE CONDITIONS. THE ALLSTAR IS THE ONLY T.G.S.I PRODUCT IN THE WORLD WITH CONTINUITY THROUGHOUT RANGE. WWW.THEALLSTAR.COM.AU

INDICATOR DETAILS

RANGE	DIRECTIONAL
MATERIAL	316 STAINLESS STEEL
FINISH	MACHINED

FEATURES

- PATENTED STAR DESIGN
- STEP-UP WEAR LAYER
- UNIQUE 16 POINT CROWN
- HIGHEST SLIP RATED DIRECTIONAL BAR ON THE MARKET
- WORLD'S FIRST SELF CLEANING TACTILE INDICATOR
- EXTRA HEAVY DUTY 1mm WEAR LAYER IDENTIFIES COMPLIANCE
- ICE/SNOW COMPATIBLE
- CHOICES OF FINISHES
- SHAPED UNDERSIDE FOR BITUMEN AND CARPET

PRODUCT DIMENSIONS

TOP OF BAR	280mm x 26mm
BASE OF BAR	290mm x 34.5mm
HEIGHT OF BAR	5mm
STEM LENGTH	12mm x 6mm

ALLTAC

ALLTAC are manufacturers and distributors of quality Australian products

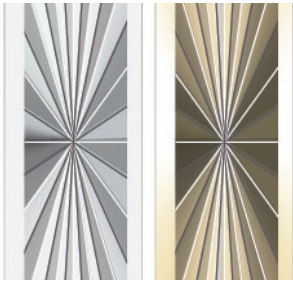
info@alltac.com.au
www.alltac.com.au

1300ALLTAC
1300 255 822

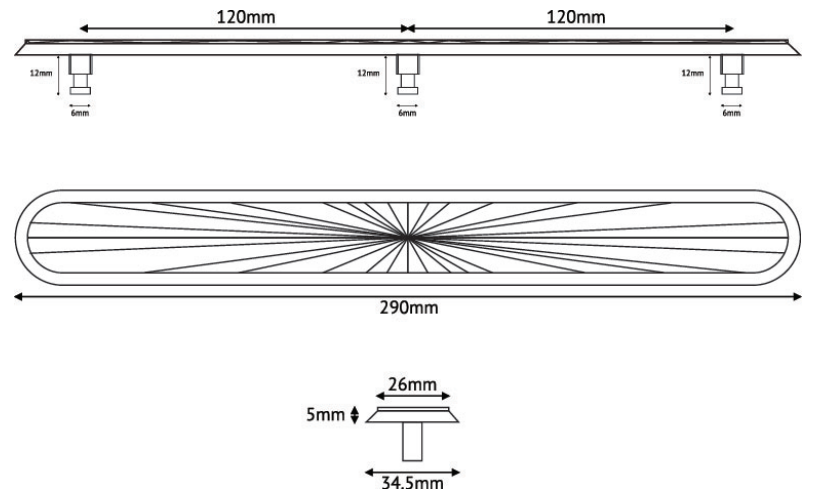
Allsafe products can be installed by our licensed contractors throughout Australia and overseas.

ALLTAC ALLSTAR DIRECTIONAL BAR TBS-STR

FINISH



STAINLESS BRASS



ALLTAC are manufacturers and distributors of quality Australian products

info@alltac.com.au
www.alltac.com.au

1300ALLTAC
1300 255 822

Allsafe products can be installed by our licensed contractors throughout Australia and overseas.