

ALLTAC CONCENTRIC TGS1 TIS-CBK

INDICATOR DETAILS

RANGE	COMPOSITE
MATERIAL	316 MARINE GRADE S.S WITH CARBORUNUM INFILL
FINISH	MACHINED & CAST

FEATURES

OPTIONAL CARBORUNDUM COLOUR
HARD WEARING
ANTI-SLIP
AS/NZS 1428.4 COMPLIANT

TESTING (PERFORMED BY CSIRO)

AS/NZS 4586 APENDIX A
WET PENDULUM 45: **V(High)**

AS/NZS 4586 APENDIX D
OIL WET RAMP TEST: **R13**

AS/NZS 1428.4
WET & DRY LUMINOUS REFLECTANCE: **1.0 - 4.5**

PRODUCT DIMENSIONS

TOP OF DOME	25mm
BASE OF DOME	35mm
HEIGHT OF DOME	5mm
STEM LENGTH	12mm x 6mm



ALLTAC

ALLTAC are manufacturers and distributors of quality Australian products

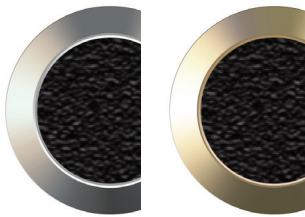
info@alltac.com.au
www.alltac.com.au

1300ALLTAC
1300 255 822

Allsafe products can be installed by our licensed contractors throughout Australia and overseas.

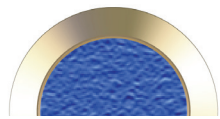
ALLTAC ALLSTAR TGS1 TIS-CBK

OPTIONS

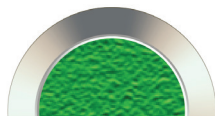


STAINLESS BRASS

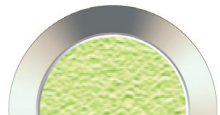
COLOUR OPTIONS



BLUE



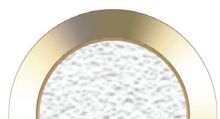
GREEN



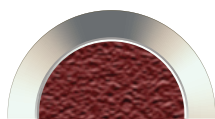
LUMINOUS



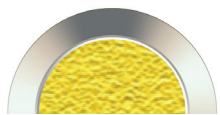
BLACK



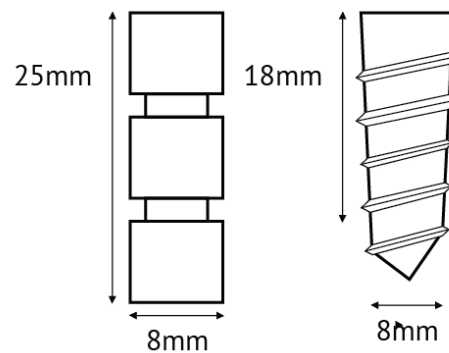
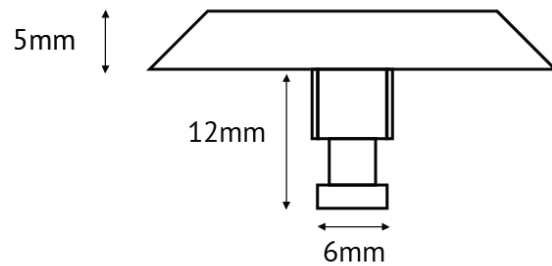
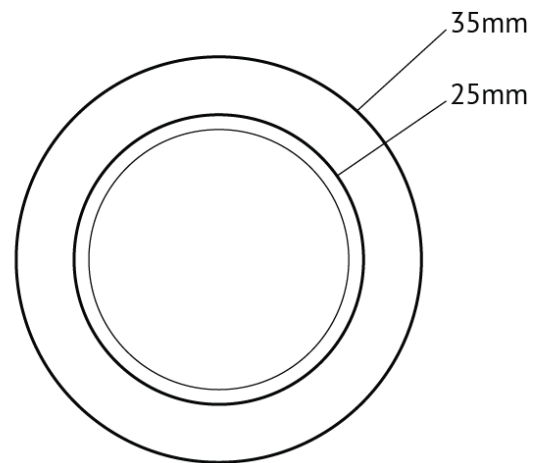
WHITE



RED



YELLOW



ALLTAC are manufacturers and distributors of quality Australian products

info@alltac.com.au
www.alltac.com.au

1300ALLTAC
1300 255 822

Allsafe products can be installed by our licensed contractors throughout Australia and overseas.