

ALLTAC CONCENTRIC TGS TIS-STR

DEVELOPED AND DESIGNED IN AUSTRALIA TO SUIT OUR UNIQUE CLIMATE AND DIVERSE CONDITIONS.
THE ALLSTAR IS THE ONLY T.G.S.I PRODUCT IN THE WORLD WITH CONTINUITY THROUGHOUT RANGE.
WWW.THEALLSTAR.COM.AU

INDICATOR DETAILS

RANGE	ALLSTAR
MATERIAL	316 STAINLESS STEEL
FINISH	POLISHED OR ROCK

FEATURES

- PATENTED STAR DESIGN
- UNIQUE 16 POINT CROWN
- OPTIMAL R12 SLIP RATING
- WORLD'S FIRST SELF CLEANING TACTILE INDICATOR
- EXTRA HEAVY DUTY 1MM WEAR LAYER IDENTIFIES COMPLIANCE
- C.S.I.R.O.C.T.A.C CERTIFIED
- ICE/SNOW COMPATIBLE
- CHOICES OF FINISHES
- SHAPED UNDERSIDE FOR BITUMEN AND CARPET INSTALLS

TESTING (PERFORMED BY CSIRO)

AS/NZS 1428.4.1
CTAC Certification, Design for access and
mobility - Tactile Indicators
Claus 2.5.2 Design Requirements: **Complies**

AS/NZS 4586 APPENDIX A
WET PENDULUM 4S: **V(HIGH)**

AS/NZS 4586 APPENDIX D
OIL WET RAMP TEST: **R12**

AS/NZS 1428.4
WET & DRY LUMINOUS REFLECTANCE: **18.4 - 21.1**

PRODUCT DIMENSIONS

TOP OF DOME	25mm
BASE OF DOME	35mm
HEIGHT OF DOME	5mm
STEM LENGTH	12mm x 6mm



ALLTAC

ALLTAC are manufacturers and distributors of quality Australian products

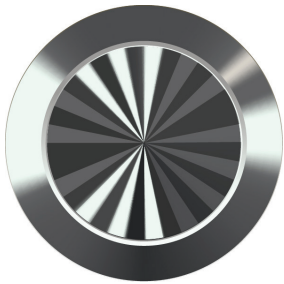
info@alltac.com.au
www.alltac.com.au

1300ALLTAC
1300 255 822

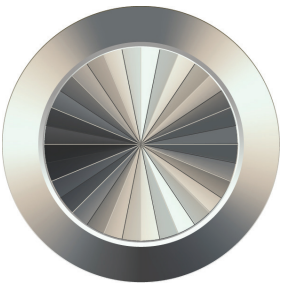
Allsafe products can be installed by our licensed contractors throughout Australia and overseas.

ALLTAC ALLSTAR TGS1 TIS-STR

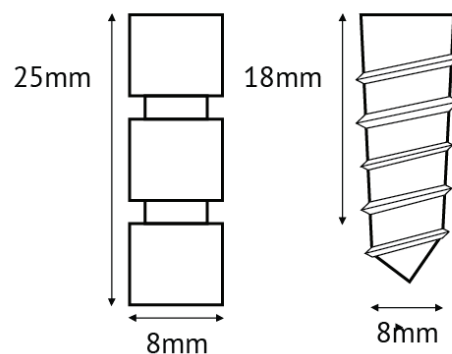
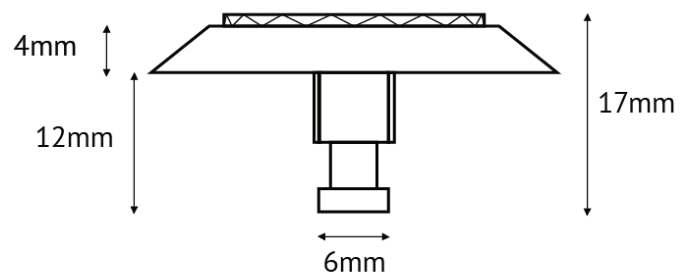
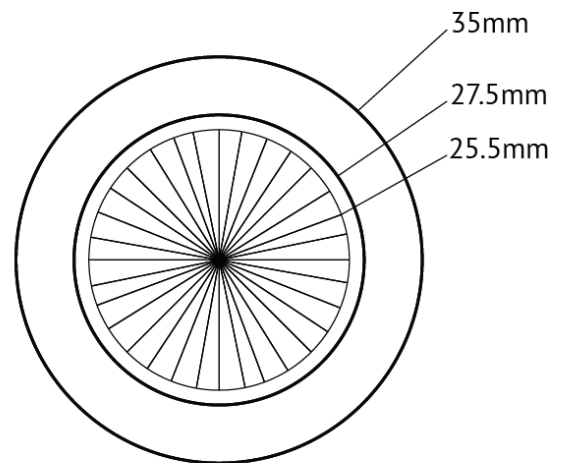
FINISH



POLISHED



UN POLISHED



ALLTAC are manufacturers and distributors of quality Australian products

info@alltac.com.au
www.alltac.com.au

1300ALLTAC
1300 255 822

Allsafe products can be installed by our licensed contractors throughout Australia and overseas.